

Surface protection and care

Front door made of synthetic material

The surfaces of these models do not require any follow-up treatment.

Dirt can be removed with mild household detergents.

Attention:
Remove protective foil immediately after installation!

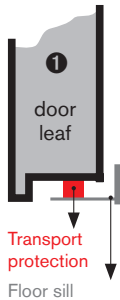
Removing the foil may be impaired by sunlight!



Surface protection and care

Front door made of synthetic material

- Unpack the door and check that it is faultless.
- Unhinge the sash.
- Screw on the inner and outer handles.
- Examine operability of lock and cylinder.



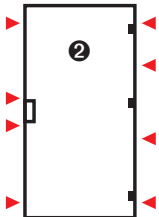
- 1 Remove the wooden strip that serves as a transport lock below the front door sash. (wooden chunk 12 x 23 x 60 mm)

Put the concealed frame into the wall opening and align it with the spirit level.

Affix all sides of the frame with four wooden wedges per side, without pressing it together in the middle.

(Use an aiming stake to check)

The bottom edge of the ground sill is equal to the top edge of the finished floor.

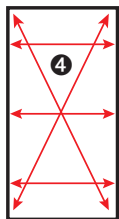


- 2 The dowel drillholes on the concealed frame (10 mm) must be drilled as follows:
 - 3 cm above the top hinge or 3 cm below the bottom hinge
 - 3 cm above and below the middle hinge
 - 3 cm above and below the strike plate
 - 30 cm from the top and from the bottom above clear measure

More drillholes can be made for a higher level of safety and stability.



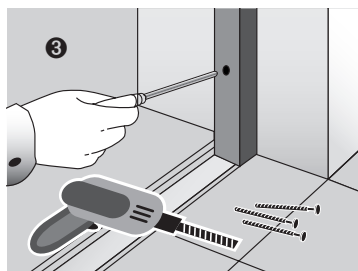
- 3 Select sufficiently long and strong dowels depending on the strength of the masonry and knock into pre-drilled holes on concealed frame so that they are flush with the wall and turn in screws. Pay attention that the screws sit tightly, but do not deform the concealed frame.



- 4 Check for perpendicularity by measuring the diagonal and the opening width at the top, middle and bottom.

Place the sash back into the concealed frame and check that it fits perfectly and check the function of the entire lock mechanism.

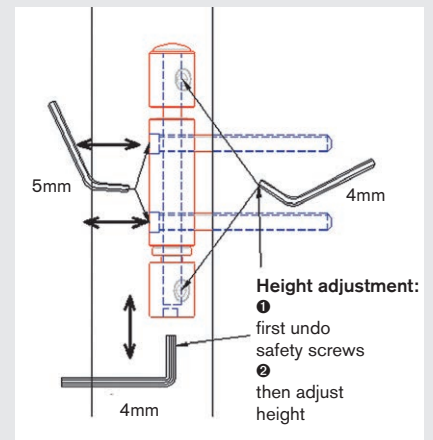
The gaps between the masonry and the concealed frame can now be filled with customary assembly foam.



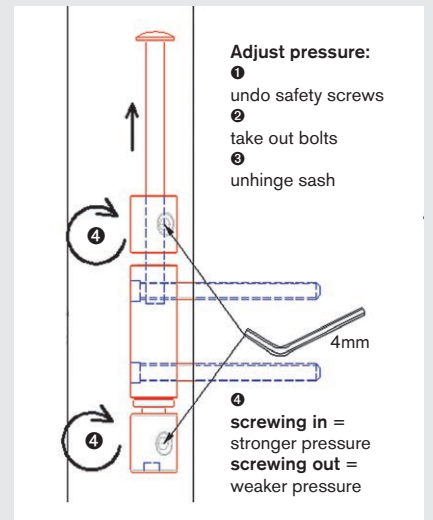
Attention:
Please only use 2-component foam.

Hinge setting for "Exclusive" model front door.

3D front door hinges.
Lateral adjustment of sash frame.



3D front door hinges.
Adjust pressure.



Hinge settings for "Standard" model front door

